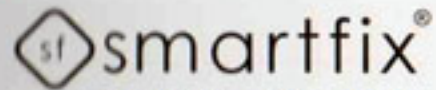


# Typical Details

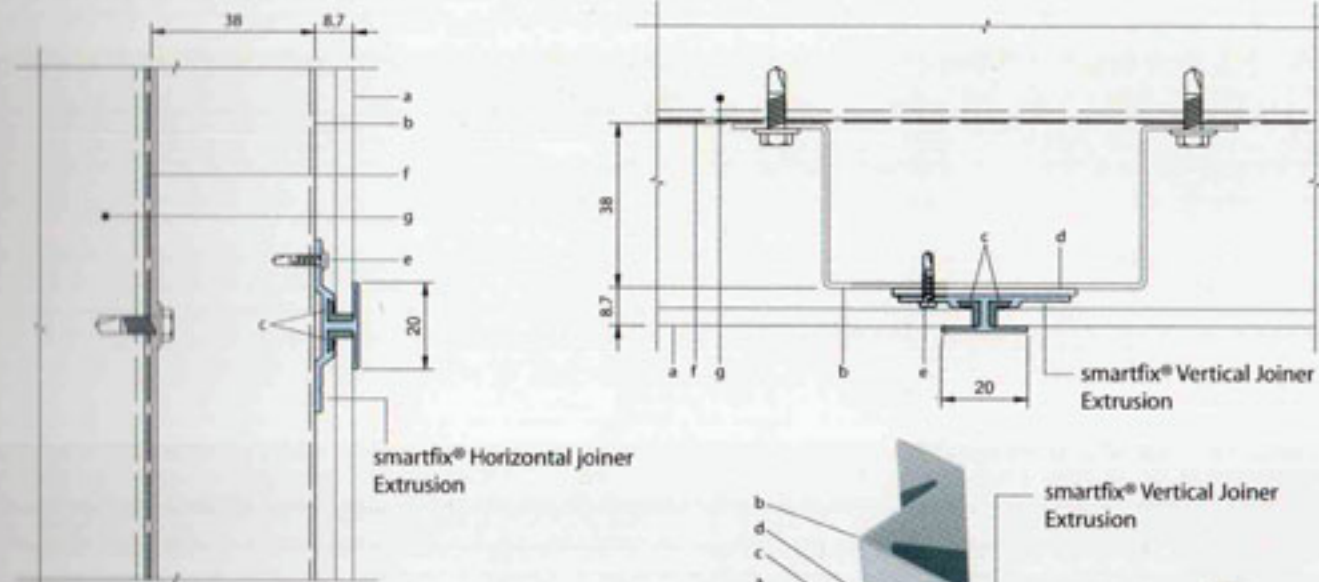
CTi Ceramic Panel



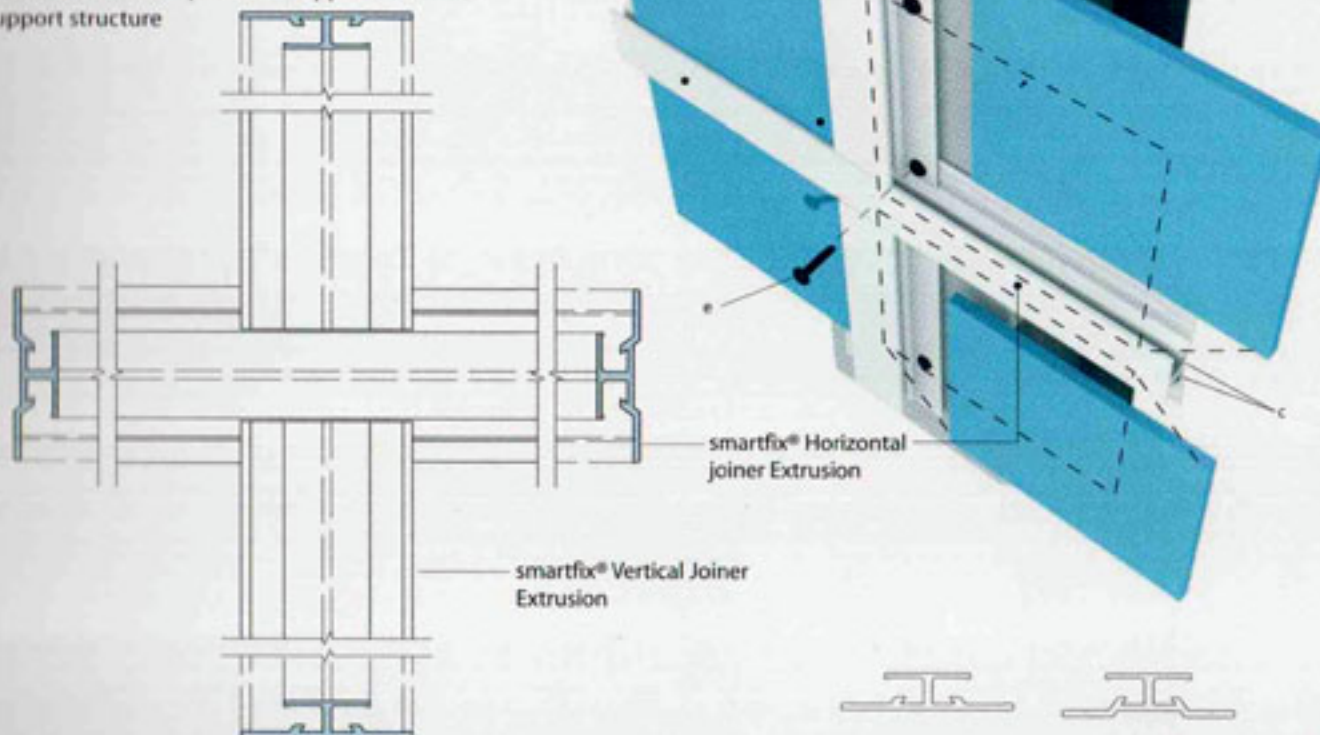
## • Jointing Options

### smartfix® Vertical and Horizontal Extrusion Jointing Details

smartfix® Joiner Extrusions are a quick and efficient way to join a variety of selected smartfix® panels. This method of fixing will enable the jointing process to become a part of the holistic approach to façade design. Jointing extrusions can be powder coated, anodised even reshaped to achieve a number of outcomes. Consult a smartfix® representative for all design alternatives and extrusion options.



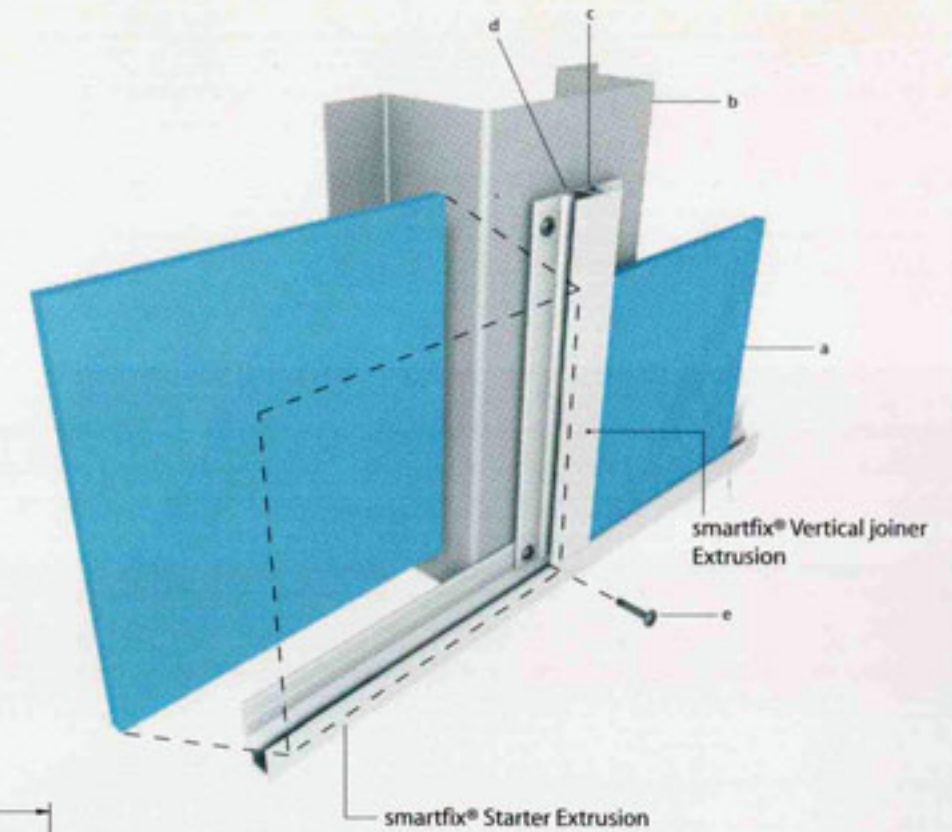
- a. 4.5mm CTi Ceramic Panel
- b. 70x38x1.2mm top hat section or structure as required
- c. EPDM gasket or appropriate sealant for concealed weather seal
- d. Plastic packer
- e. Wafer head tek screws
- f. Vapour barrier between top hat and support structure
- g. Main support structure



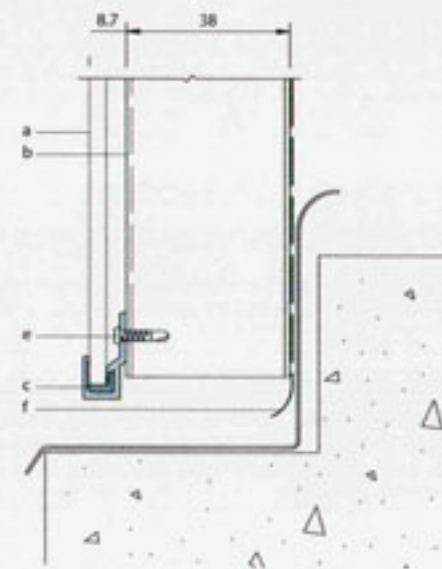
## • Starter Detail

### smartfix® Starter Extrusion Detail

Similar to smartfix® external and internal profiles, the smartfix® Starter Extrusion provide both a sharp and clean detail. The elimination of heavy mastic, silicone joints and face fixings dramatically increase the life cycle of the façade where many fall short. The mechanical concealed seal is integral to the smartfix system, not only achieves a more durable detail, it allows for a more controlled and precise method of joining façade panels. The smartfix® Starter Extrusion can be used in any number of configurations ranging from wall base details to soffit details. A smartfix® representative can be contacted to assist in any number of combinations.



- a. 4.5mm CTi Ceramic Panel
- b. 70x38x1.2mm top hat section or structure as required
- c. EPDM gasket or appropriate sealant for concealed weather seal
- d. Plastic packer
- e. Wafer head tek screws
- f. Vapour barrier between top hat and support structure



# Typical Details

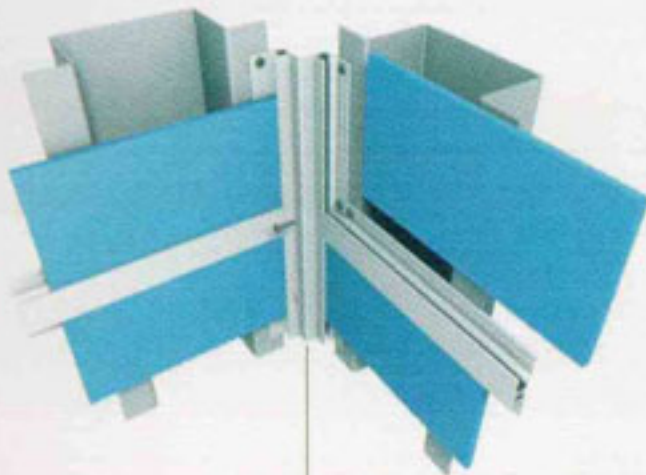
# CTi Ceramic Panel



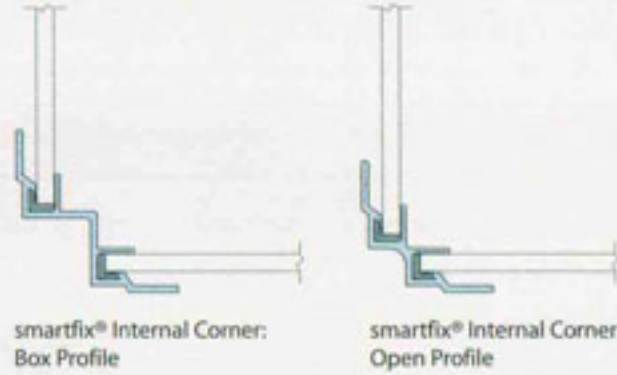
## • Internal Corner Details

### smartfix® Internal Corner Extrusions Details

Similar to smartfix external profiles, smartfix Internal Extrusions provide both a sharp and clean detail. The elimination of heavy mastic, silicone joints and face fixings dramatically increase the life cycle of the façade where many fall short. The mechanical concealed seal is integral to the smartfix system, not only achieves a more durable detail, it allows for a more controlled and precise method of joining façade panels.

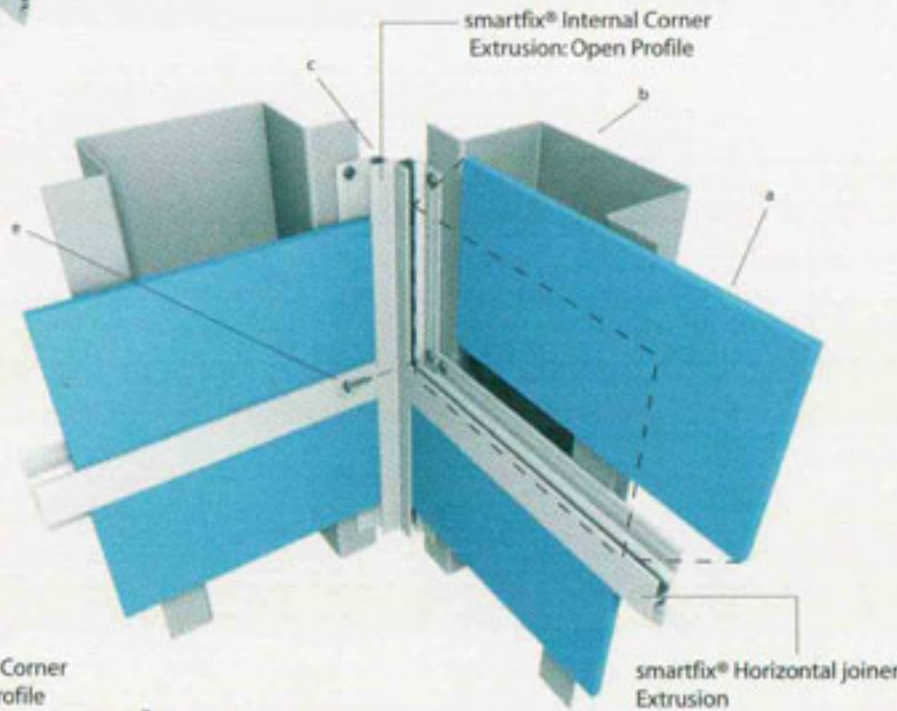


smartfix® Internal Corner: Box Profile

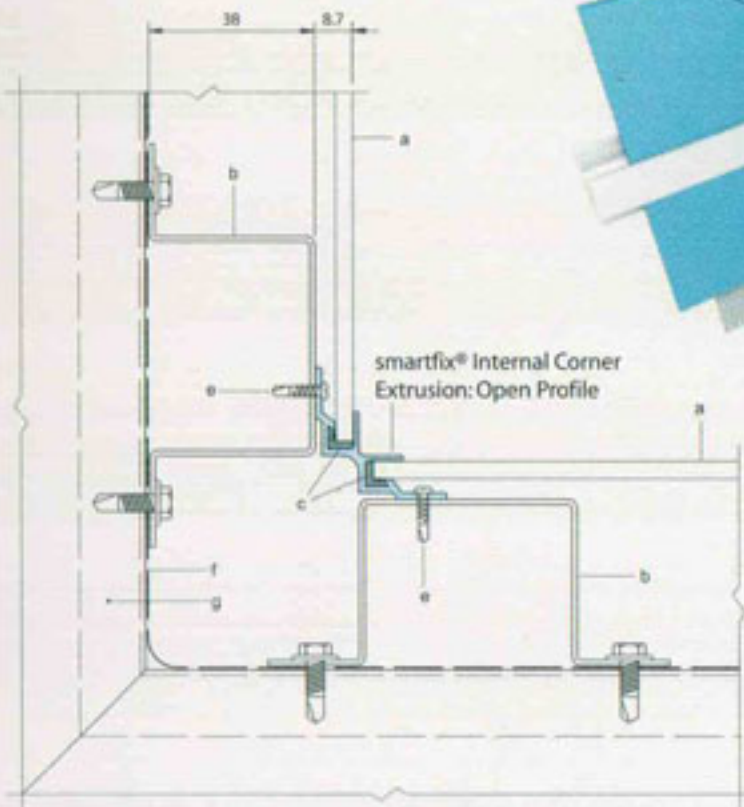


smartfix® Internal Corner: Box Profile

smartfix® Internal Corner: Open Profile



smartfix® Internal Corner Extrusion: Open Profile



smartfix® Internal Corner Extrusion: Open Profile

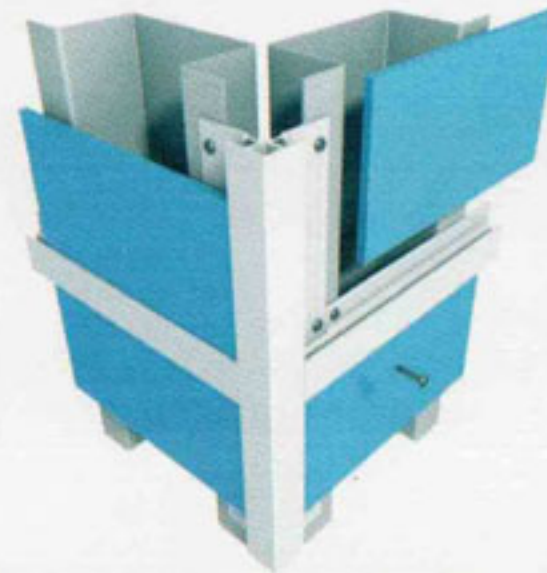
- a. 4.5mm CTi Ceramic Panel
- b. 70x38x1.2mm top hat section or structure as required
- c. EPDM gasket or appropriate sealant for concealed weather seal
- d. Plastic packer
- e. Wafer head tek screws
- f. Vapour barrier between top hat and support structure
- g. Main support structure



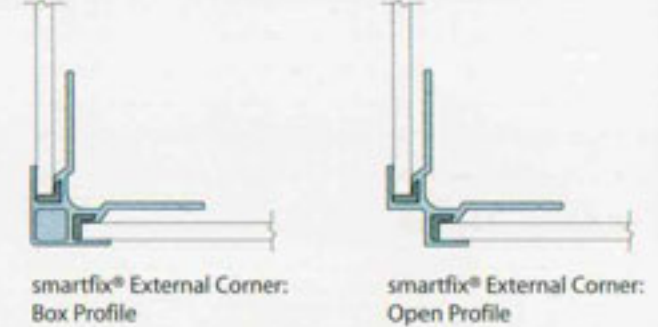
## • External Corner Details

### smartfix® External Corner Extrusion Details

smartfix External Corner Extrusions provide both a sharp and clean detail. The elimination of heavy mastic, silicone joints and face fixings dramatically increase the life cycle of the façade where many fall short. The mechanical concealed seal is integral to the smartfix system, not only achieves a more durable detail, it allows for a more controlled and precise method of joining façade panels.

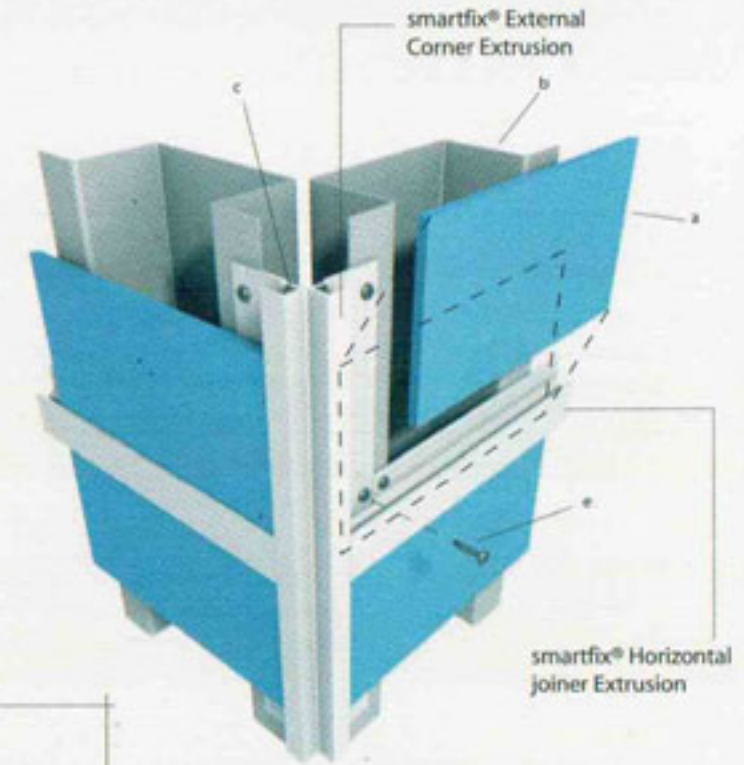


smartfix® External Corner: Box Profile

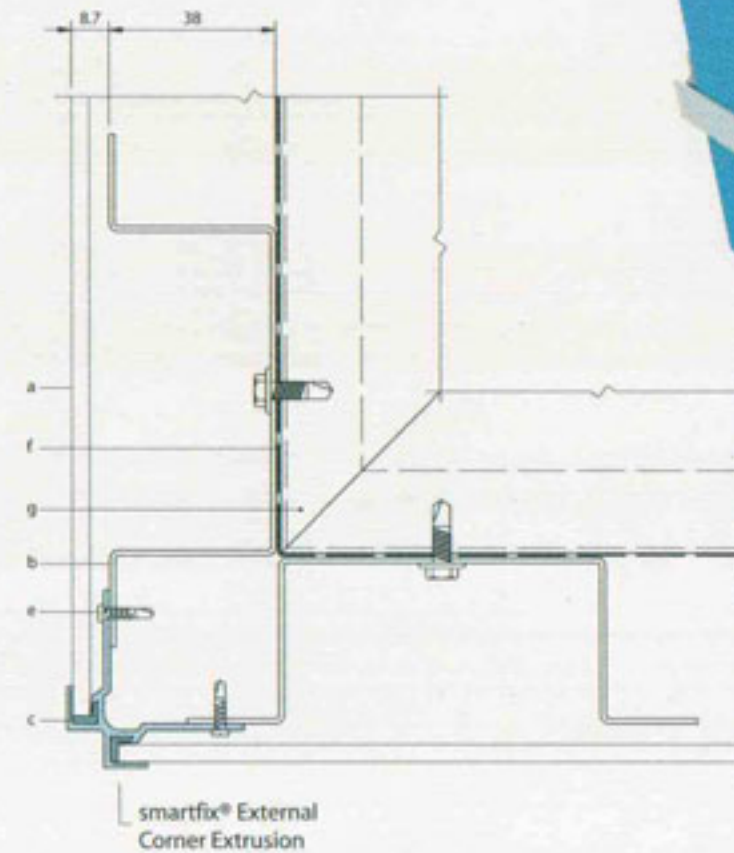


smartfix® External Corner: Box Profile

smartfix® External Corner: Open Profile



smartfix® External Corner Extrusion



smartfix® External Corner Extrusion

- a. 4.5mm CTi Ceramic Panel
- b. 70x38x1.2mm top hat section or structure as required
- c. EPDM gasket or appropriate sealant for concealed weather seal
- d. Plastic packer
- e. Wafer head tek screws
- f. Vapour barrier between top hat and support structure
- g. Main support structure

