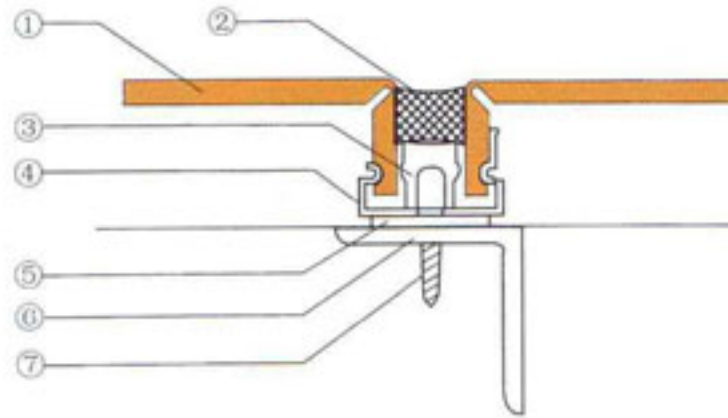


Example of panel type and joint design (B)

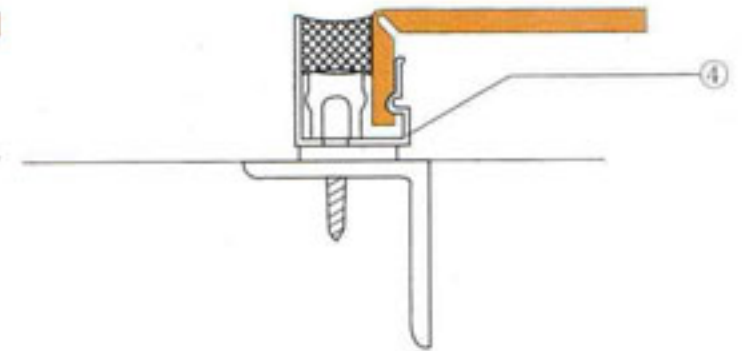
1. *ALCOMAXX* Panel
2. Sealing material
3. Plastic lining bar
4. Accessories
5. Spacer
6. Angle bar
7. Bullen screw

Above mentioned accessories are used for low buildings.

Accessories and seal joint (1)

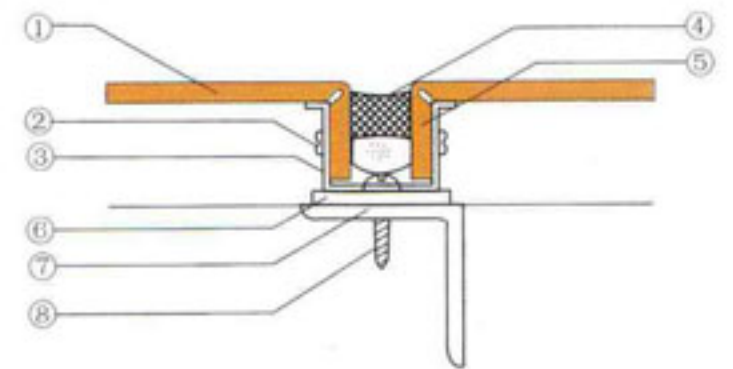
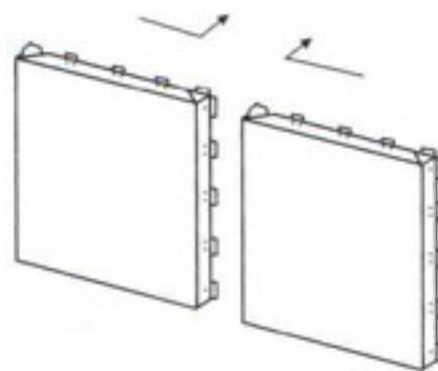


Accessories and seal joint (2)



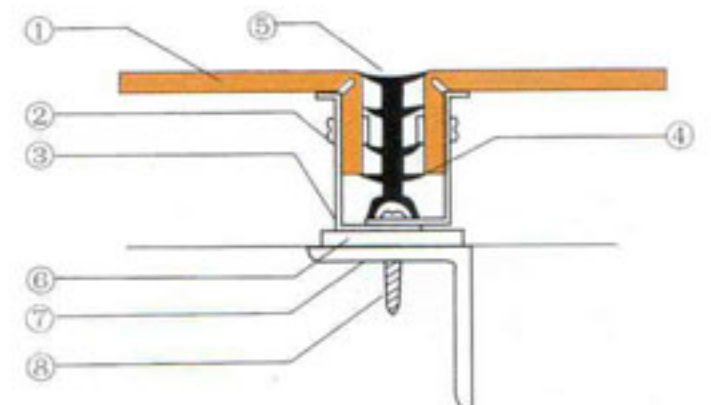
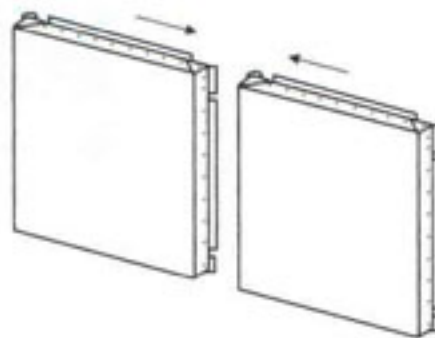
Example of panel type and joint design (C)

1. *ALCOMAXX* Panel
2. Aluminum rivet
3. Angle aluminum
4. Sealing material
5. Bach spacer
6. Spacer
7. Angle bar
8. Bullen screw



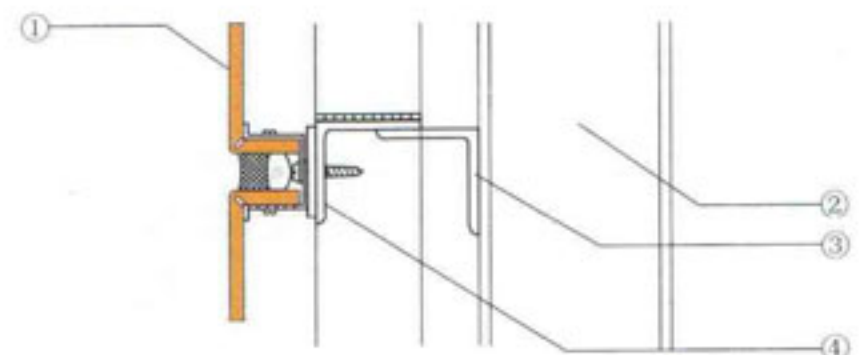
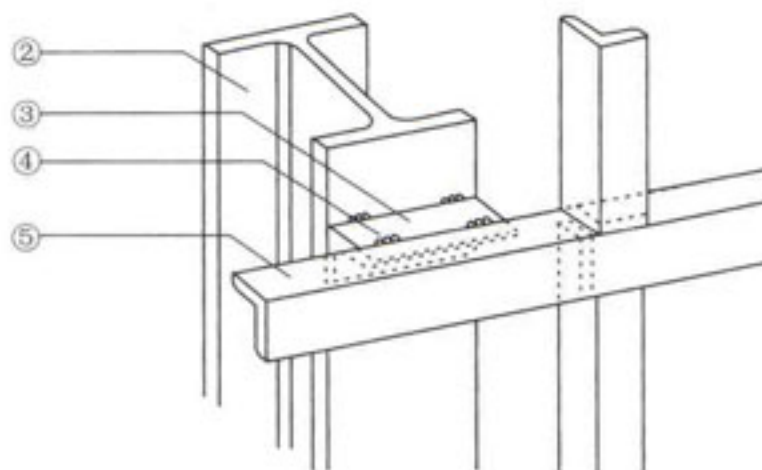
Example of panel type and joint design

1. *ALCOMAXX* Panel
2. Aluminum rivet
3. Angle aluminum
4. Angle aluminum
5. Gasket
6. Spacer
7. Angle bar
8. Bullen screw



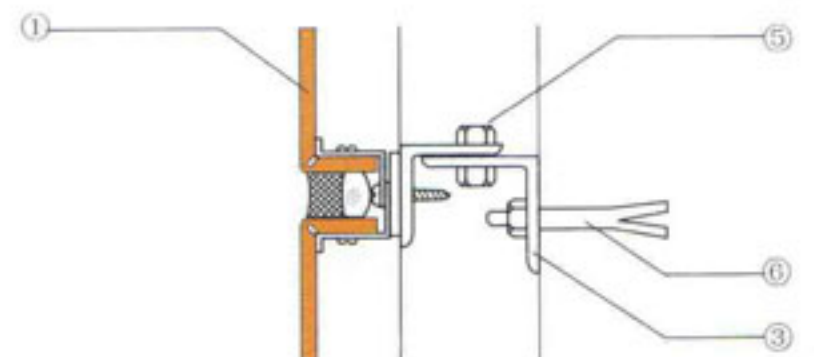
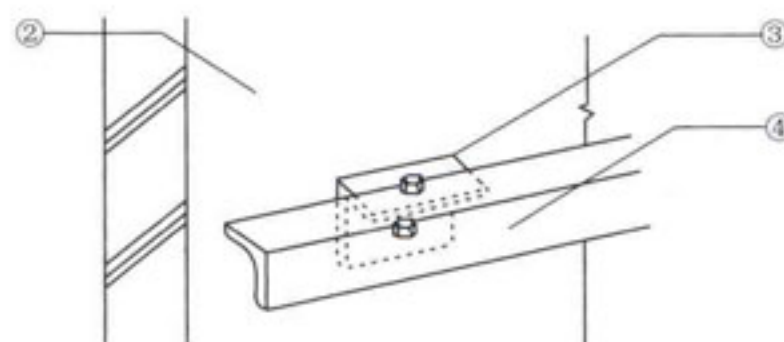
Example of keel structure

1. *ALCOMAXX* Panel
2. Bearing strut
3. Angle support
4. Welding
5. Angle bar



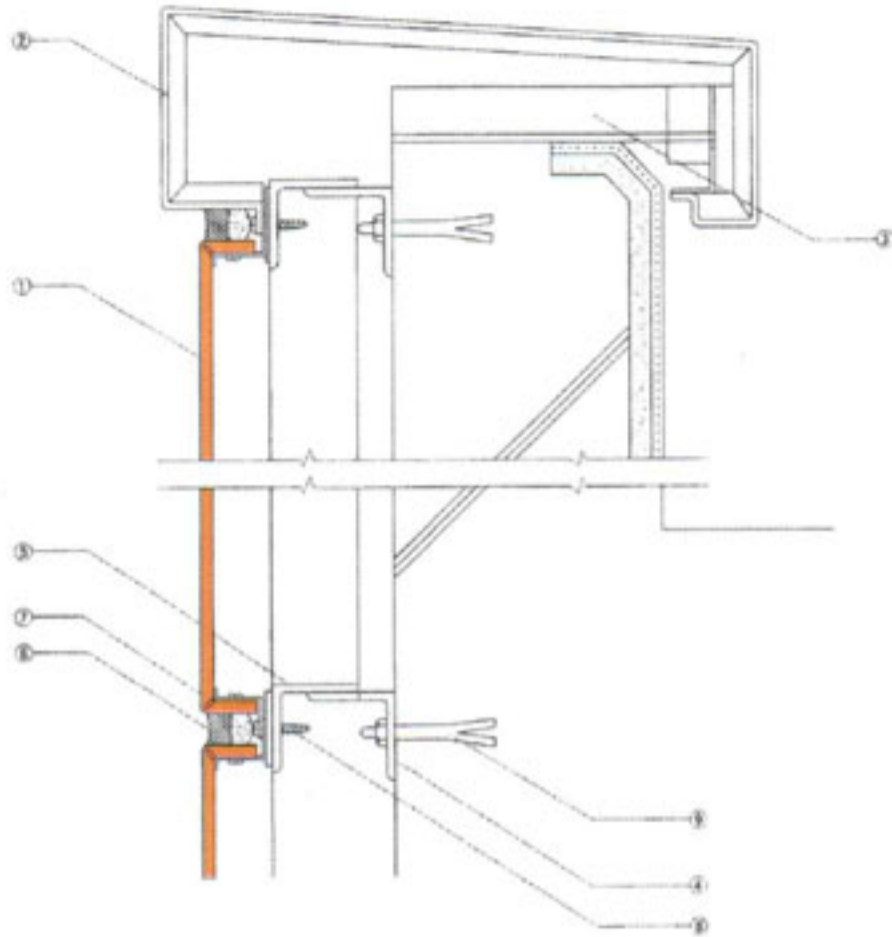
Example of keel structure

1. *ALCOMAXX* Panel
2. Bearing strut (wall)
3. Angle support
4. Angle aluminum
5. Tapping screw
6. Embedded part

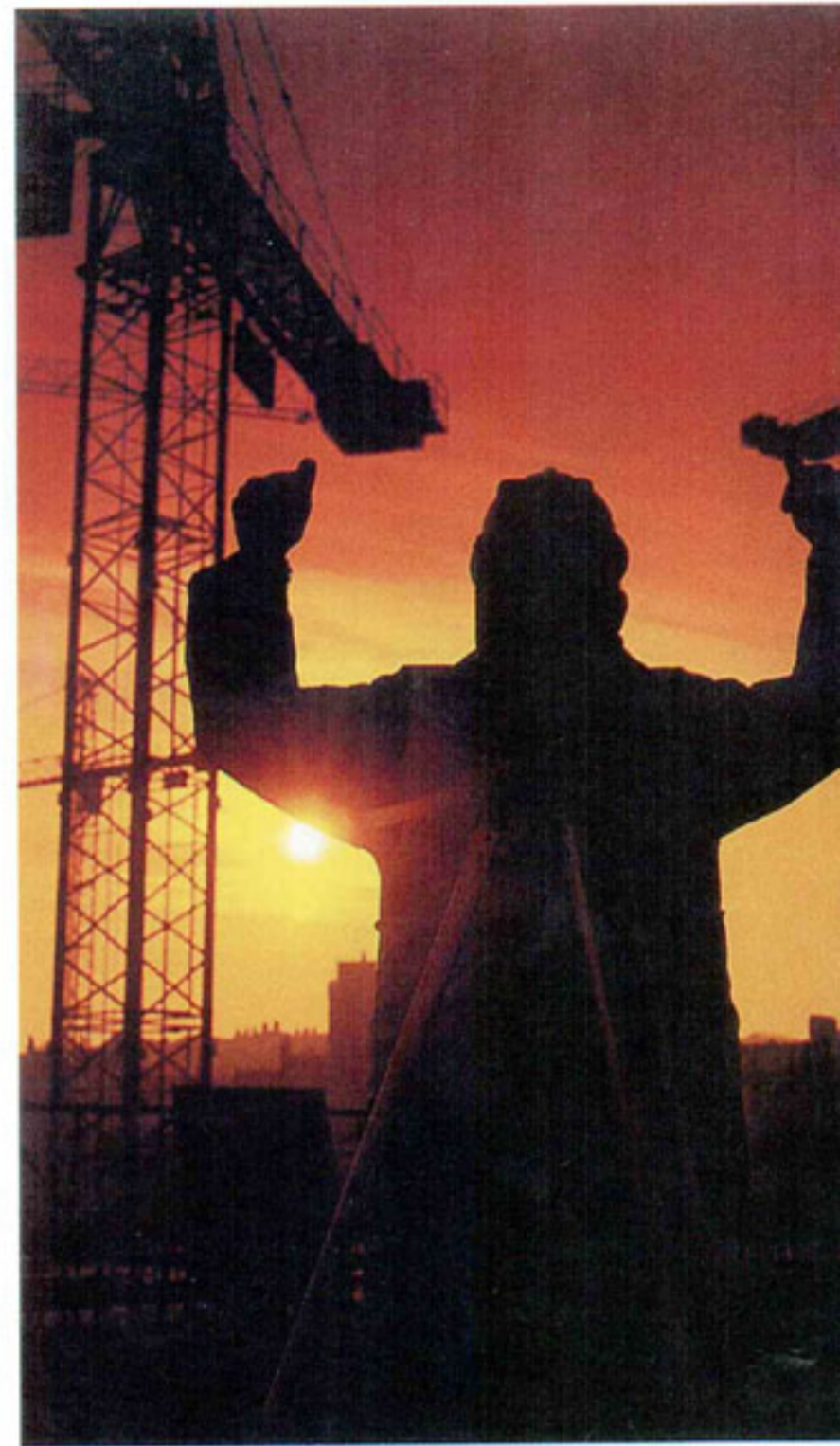


Scheme of Installation

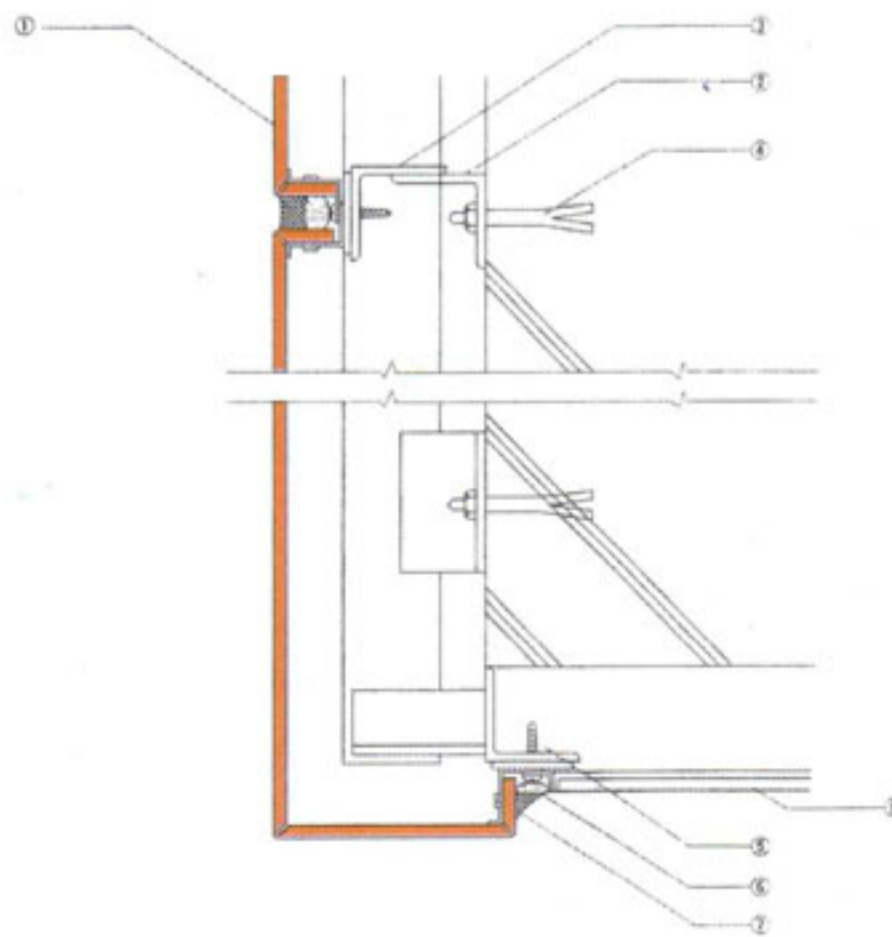
Installation example of building top



1. ALCOMAXX Panel
2. Building top
3. Angle support
4. Angle support
5. Angle bar
6. Sealing material
7. Lining material
8. Bullen screw
9. Built-in anchoring or expanding bolt

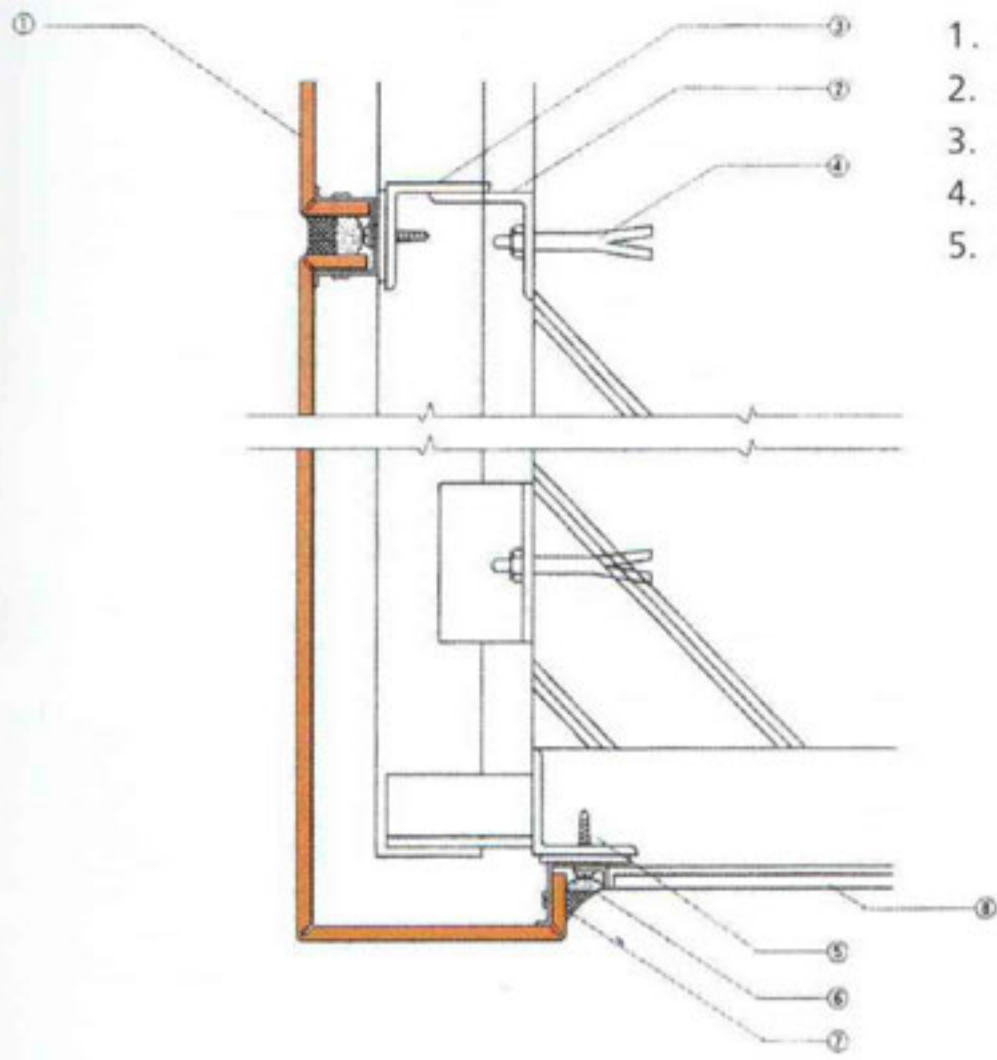


Installation example of eaves

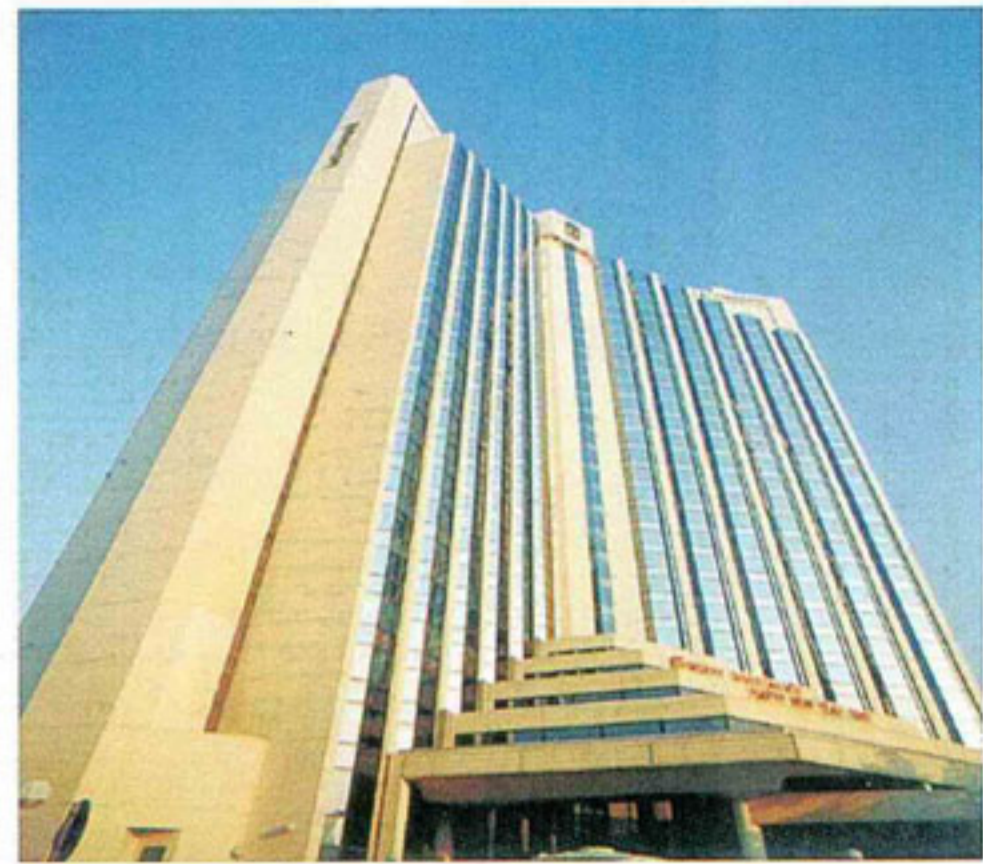


1. ALCOMAXX Panel
2. Angle support
3. Angle bar
4. Built-in anchoring or expanding bolt
5. Sealing material
6. Lining material
7. Bullen screw
8. Ceiling

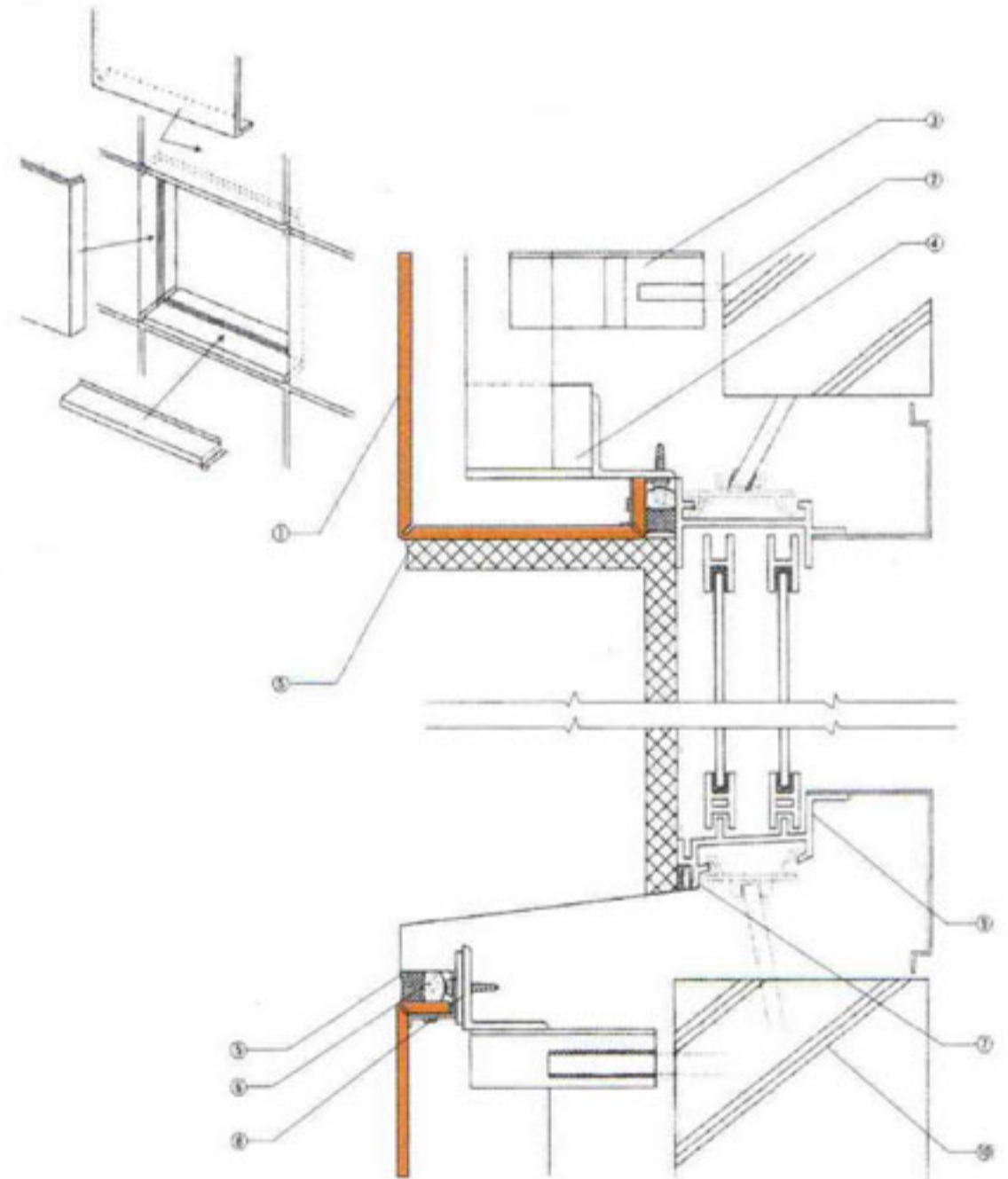
Installation example of foundation



1. *ALCOMAXX* Panel
2. Angle bar
3. Angle support
4. Sealing material
5. Lining material

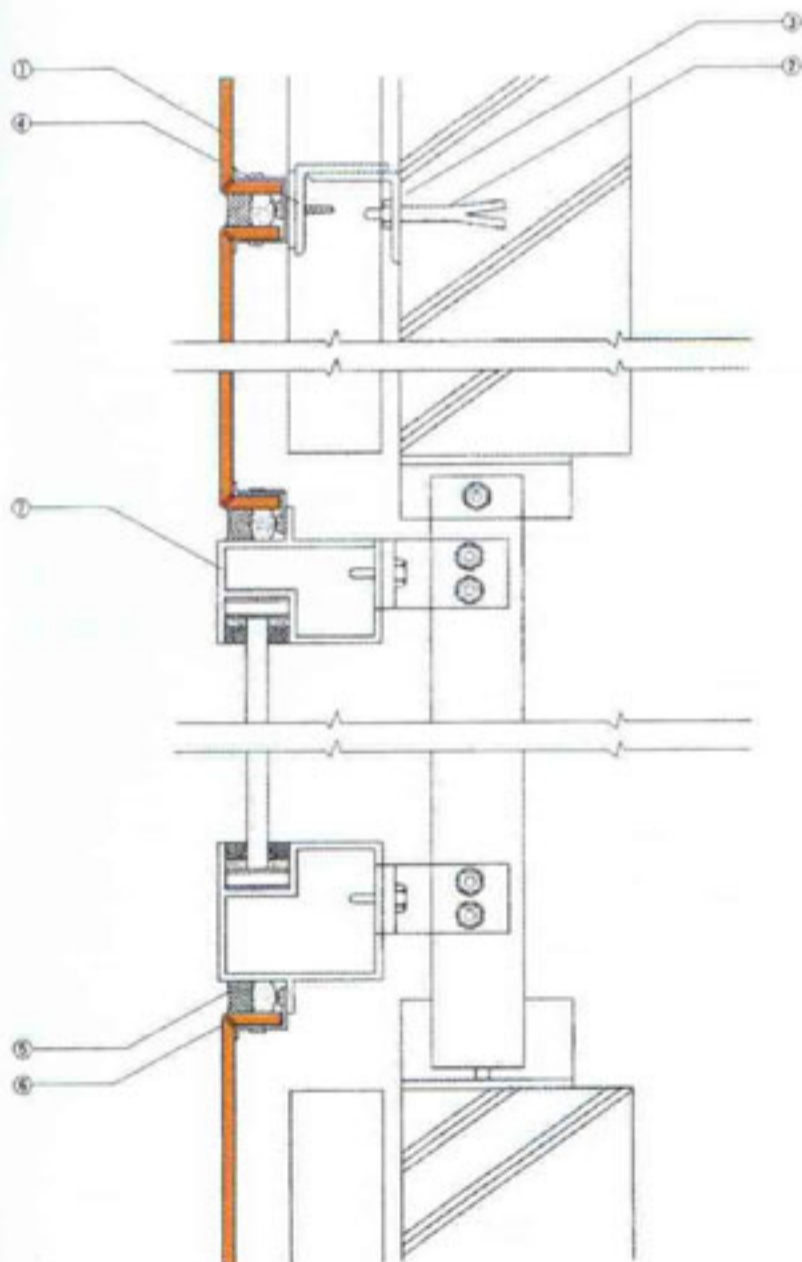


Installation example of repaired building window frames



1. *ALCOMAXX* Panel
2. Built-in anchoring or expanding bolt
3. Angle support
4. Angle bar
5. Sealing material
6. Lining material
7. Damper
8. Bullen screw
9. Window frame
10. The former bearing wall

Installation example of window frame



1. *ALCOMAXX* Panel
2. Built-in anchoring or expanding bolt
3. Angle support
4. Angle bar
5. Sealing material
6. Lining material
7. External window frame