

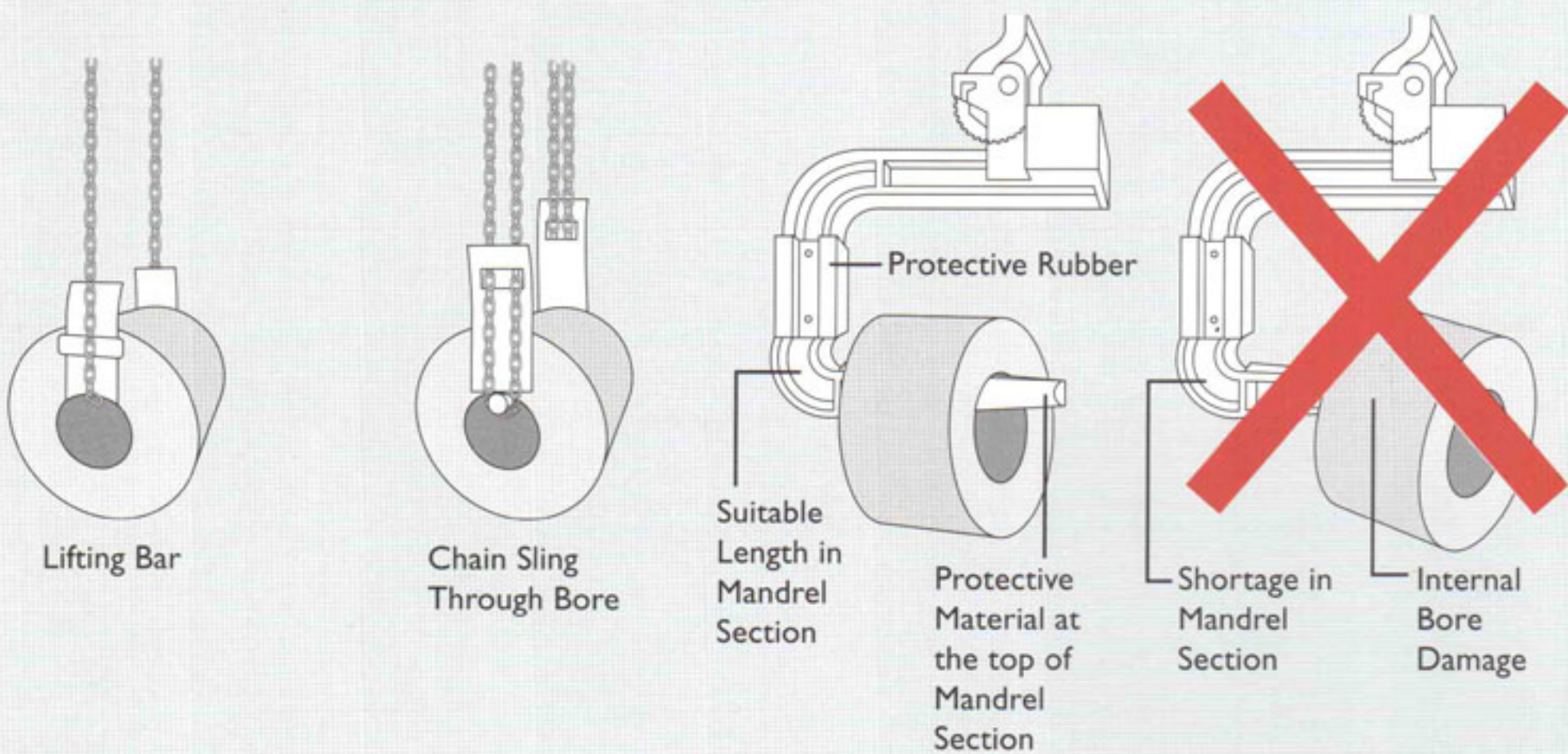
HANDLING & STORAGE

In order to ensure the excellent quality of the Prepainted Galvanised products from being impaired during handling and storage, it is necessary to carry out several important procedures.

1. Storage equipment must be clean and contact areas must be smooth and free from protrusions.
2. Coils should be prevented from surface and edge damage. When downending, avoid rolling coils on the floor. To avoid the possibility of scuffing during uncoiling, tension should be maintained. When being transported, products must be kept dry.
3. Products should be kept in weather-proof buildings. Under the condition of high humidity, condensation has to be kept very low and products to be kept in a well ventilated area.

Should material accidentally becomes wet, it has to be processed or recoiled or dried immediately to prevent quality deterioration.

HANDLING



STORAGE



Do Not Exposed to Rain

Inadequate Cover

Proper Storage